

Addendum

HC908JL8AD/D
Rev. 0, 5/2002

Addendum to
MC68HC908JL8
Technical Data



This addendum provides update and additional information to the
MC68HC908JL8 Technical Data, Rev. 2
(Motorola document number MC68HC908JL8/D)

MC68HC08JL8 MC68HC08JK8

The MC68HC08JL8 is the ROM part equivalent to the MC68HC908JL8. The entire MC68HC908JL8 data book apply to this ROM device, with exceptions outlined in this addendum.

Table 1. Summary of MC68HC08JL8 and MC68HC908JL8 Differences

	MC68HC08JL8	MC68HC908JL8
Memory (\$SDC00–\$FBFF)	8,192 bytes ROM	8,192 bytes FLASH
User vectors (\$FFDC–\$FFFF)	36 bytes ROM	36 bytes FLASH
Registers at \$FE08 and \$FFCF	Not used; locations are reserved.	FLASH related registers. \$FE08 — FLCR \$FFCF — FLBPR
Mask option register (\$FFD0)	Defined by mask; read only.	Read/write FLASH register.
Monitor ROM (\$FC00–\$FDFF and \$FE10–\$FFCE)	\$FC00–\$FDFF: Not used. \$FE10–\$FFCE: Used for testing purposes only.	Used for testing and FLASH programming/erasing.
Available Packages	20-pin PDIP (MC68HC08JK8) 20-pin SOIC (MC68HC08JK8) 28-pin PDIP 28-pin SOIC 32-pin SDIP 32-pin LQFP	20-pin PDIP (MC68HC908JK8) 20-pin SOIC (MC68HC908JK8) 28-pin PDIP 28-pin SOIC 32-pin SDIP 32-pin LQFP

MCU Block Diagram Figure 1 shows the block diagram of the MC68HC08JL8.

Memory Map The MC68HC08JL8 has 8,192 bytes of user ROM from \$DC00 to \$FBFF, and 36 bytes of user ROM vectors from \$FFDC to \$FFFF. On the MC68HC908JL8, these memory locations are FLASH memory.

Figure 2 shows the memory map of the MC68HC08JL8.

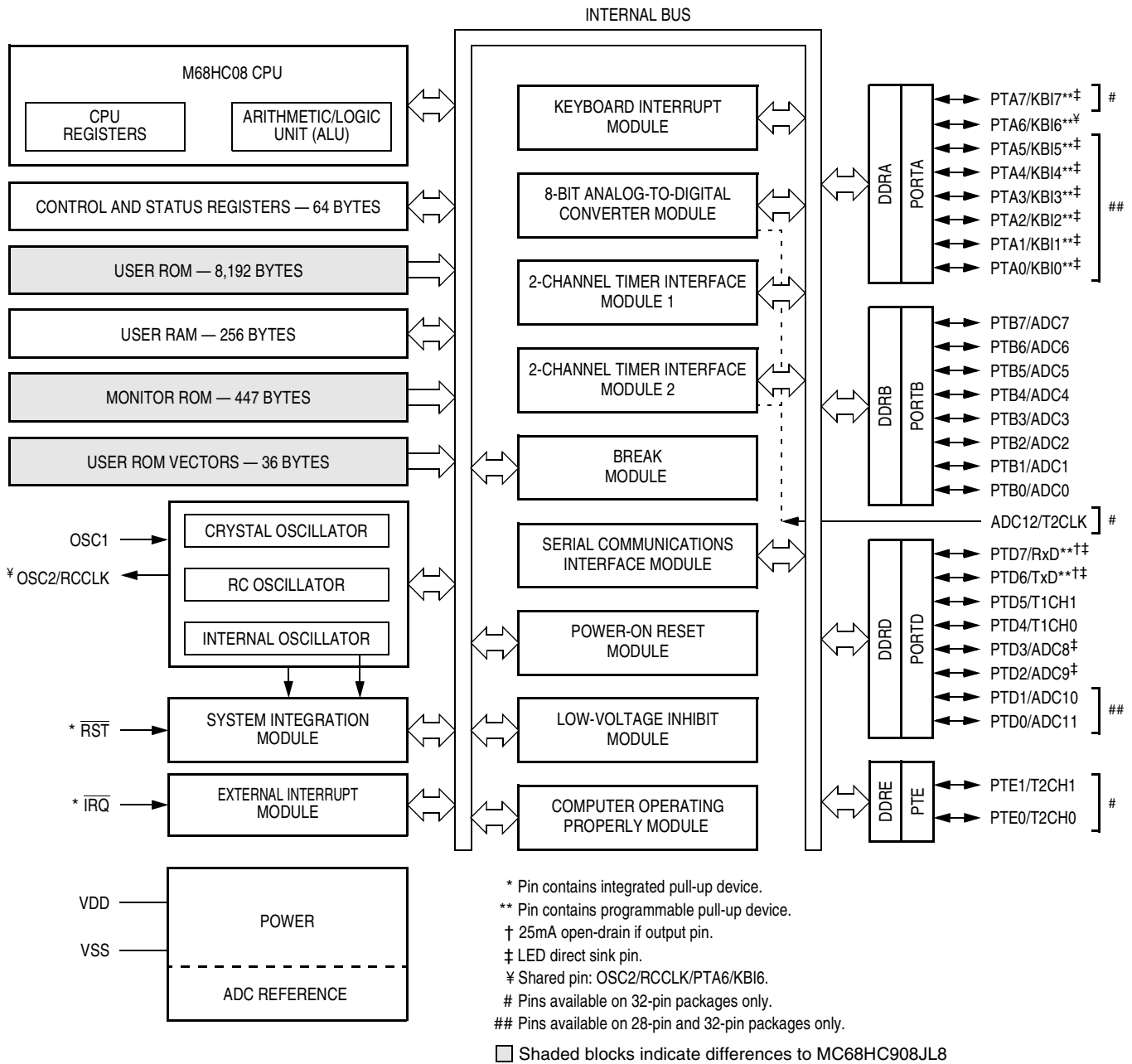


Figure 1. MC68HC08JL8 Block Diagram

\$0000 ↓ \$003F	I/O REGISTERS 64 BYTES
\$0040 ↓ \$005F	RESERVED 32 BYTES
\$0060 ↓ \$015F	RAM 256 BYTES
\$0160 ↓ \$DBFF	UNIMPLEMENTED 55,968 BYTES
\$DC00 ↓ \$FBFF	ROM 8,192 BYTES
\$FC00 ↓ \$FDFF	UNIMPLEMENTED 512 BYTES
\$FE00	BREAK STATUS REGISTER (BSR)
\$FE01	RESET STATUS REGISTER (RSR)
\$FE02	RESERVED
\$FE03	BREAK FLAG CONTROL REGISTER (BFCR)
\$FE04	INTERRUPT STATUS REGISTER 1 (INT1)
\$FE05	INTERRUPT STATUS REGISTER 2 (INT2)
\$FE06	INTERRUPT STATUS REGISTER 3 (INT3)
\$FE07	RESERVED
\$FE08	RESERVED
\$FE09 ↓ \$FF0B	RESERVED
\$FE0C	BREAK ADDRESS HIGH REGISTER (BRKH)
\$FE0D	BREAK ADDRESS LOW REGISTER (BRKL)
\$FE0E	BREAK STATUS AND CONTROL REGISTER (BRKSCR)
\$FE0F	RESERVED
\$FE10 ↓ \$FFCE	MONITOR ROM 447 BYTES
\$FFCF	RESERVED
\$FFD0	MASK OPTION REGISTER (MOR) — READ ONLY
\$FFD1 ↓ \$FFDB	RESERVED 11 BYTES
\$FFDC ↓ \$FFFF	USER ROM VECTORS 36 BYTES

Figure 2. MC68HC08JL8 Memory Map

- Reserved Registers** The two registers at \$FE08 and \$FFCF are reserved locations on the MC68HC08JL8.
- On the MC68HC908JL8, these two locations are the FLASH control register and the FLASH block protect register respectively.
- Mask Option Register** The mask option register at \$FFD0 is read only. The value is defined by mask option (hard-wired connections) specified at the time as the ROM code submission.
- On the MC68HC908JL8, the MOR is implemented as a FLASH, which can be programmed, erased, and read.
- Monitor ROM** The monitor program (monitor ROM: \$FE10–\$FFCE) on the MC68HC08JL8 is for device testing only. \$FC00–\$FDFF are unused.
- Electrical Specifications** Electrical specifications for the MC68HC908JL8 apply to the MC68HC08JL8, except for the parameters indicated below.

DC Electrical Characteristics

Table 2. DC Electrical Characteristics (5V)

Characteristic ⁽¹⁾	Symbol	Min	Typ ⁽²⁾	Max	Unit
V _{DD} supply current, f _{OP} = 8MHz RC oscillator option	I _{DD}	Values same as, and characterized from MC68HC908JL8, but not tested.			
Low-voltage inhibit, trip falling voltage	V _{TRIPF}	3.55 (3.60) ⁽³⁾	4.02 (4.25)	4.48 (4.48)	V
Low-voltage inhibit, trip rising voltage	V _{TRIPR}	3.66 (3.75)	4.13 (4.40)	4.59 (4.63)	V

- V_{DD} = 4.5 to 5.5 Vdc, V_{SS} = 0 Vdc, T_A = T_L to T_H, unless otherwise noted.
- Typical values reflect average measurements at midpoint of voltage range, 25 °C only.
- The numbers in parenthesis are MC68HC908JL8 values.

Table 3. DC Electrical Characteristics (3V)

Characteristic ⁽¹⁾	Symbol	Min	Typ ⁽²⁾	Max	Unit
V _{DD} supply current, f _{OP} = 4MHz RC oscillator option	I _{DD}	Values same as, and characterized from MC68HC908JL8, but not tested.			
Low-voltage inhibit, trip voltage (No hysteresis implemented for 3V LVI)	V _{LVI3}	2.1 (2.18) ⁽³⁾	2.4 (2.49)	2.69 (2.68)	V

- V_{DD} = 2.7 to 3.3 Vdc, V_{SS} = 0 Vdc, T_A = T_L to T_H, unless otherwise noted.
- Typical values reflect average measurements at midpoint of voltage range, 25 °C only.
- The numbers in parenthesis are MC68HC908JL8 values.

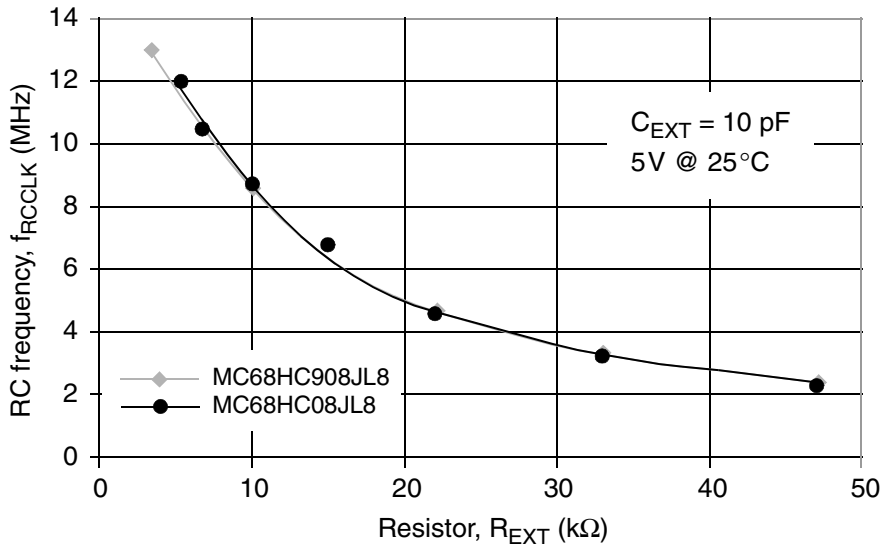


Figure 3. RC vs. Frequency (5V @ 25°C)

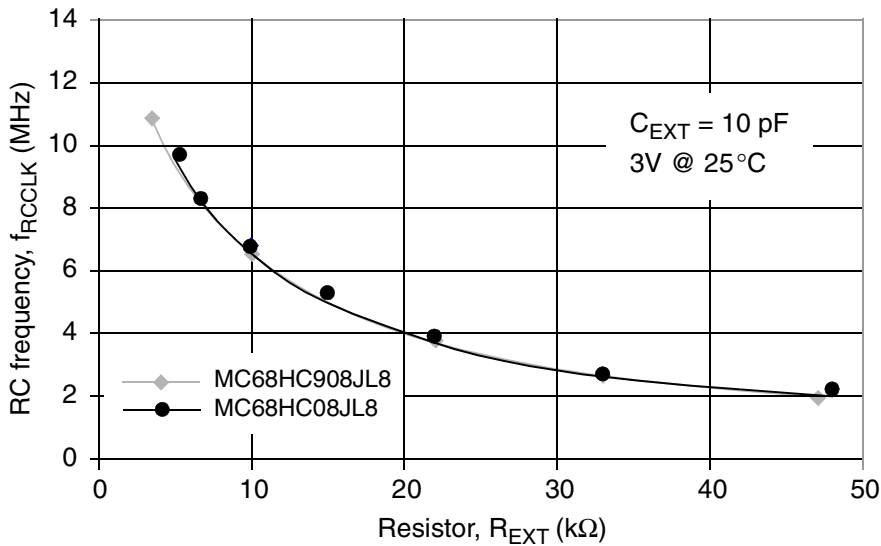
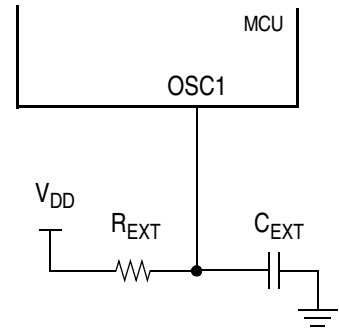
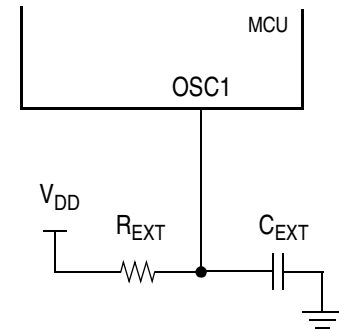


Figure 4. RC vs. Frequency (3V @ 25°C)



Memory
Characteristics

Table 4. Memory Characteristics

Characteristic	Symbol	Min	Max	Unit
RAM data retention voltage	V_{RDR}	1.3	—	V

Notes:

Since MC68HC08JL8 is a ROM device, FLASH memory electrical characteristics do not apply.

**MC68HC08JL8
Order Numbers**

These part numbers are generic numbers only. To place an order, ROM code must be submitted to the ROM Processing Center (RPC).

Table 5. MC68HC08JL8 Order Numbers

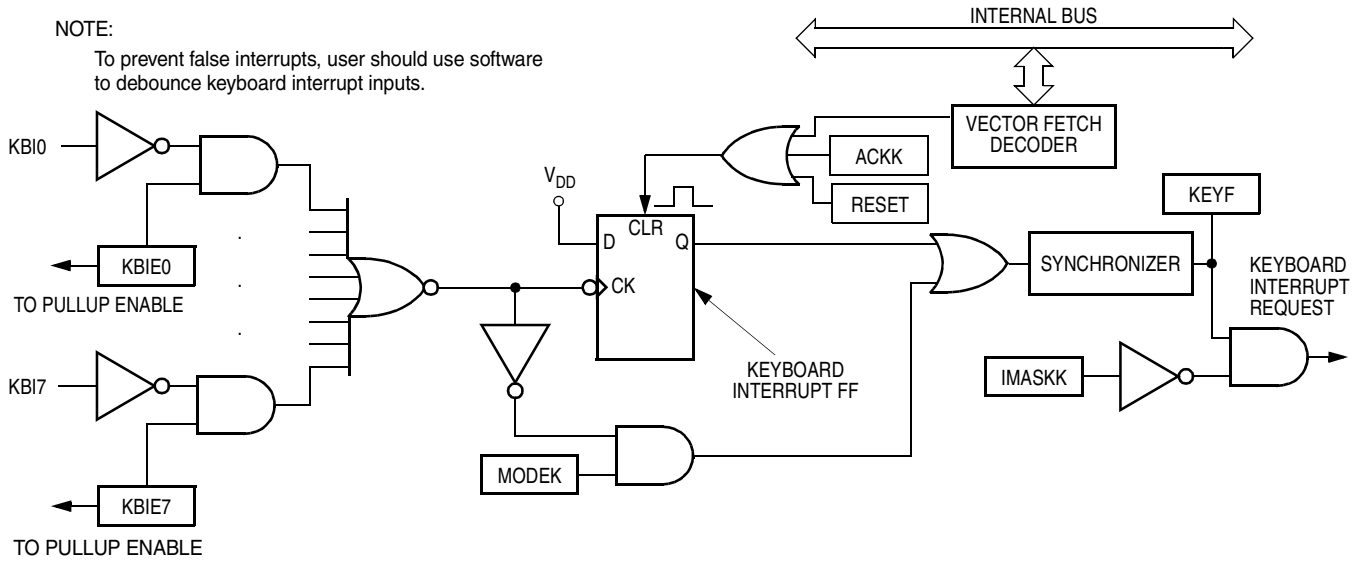
MC Order Number	Operating Temperature Range	Package
MC68HC08JK8CP	-40 °C to +85 °C	20-pin PDIP
MC68HC08JK8MP	-40 °C to +125 °C	
MC68HC08JK8CDW	-40 °C to +85 °C	20-pin SOIC
MC68HC08JK8MDW	-40 °C to +125 °C	
MC68HC08JL8CP	-40 °C to +85 °C	28-pin PDIP
MC68HC08JL8MP	-40 °C to +125 °C	
MC68HC08JL8CDW	-40 °C to +85 °C	28-pin SOIC
MC68HC08JL8MDW	-40 °C to +125 °C	
MC68HC08JL8CSP	-40 °C to +85 °C	32-pin SDIP
MC68HC08JL8MSP	-40 °C to +125 °C	
MC68HC08JL8CFA	-40 °C to +85 °C	32-pin LQFP
MC68HC08JL8MFA	-40 °C to +125 °C	

NOTE: Temperature grade "M" is available for $V_{DD} = 5V$ only.

AMENDMENTS TO MC68HC908JL8/D, REV. 2

Keyboard Interrupt

Page 243, **Figure 15-2. Keyboard Interrupt Block Diagram** — Replace with the following block diagram:



Computer Operating Properly (COP)

Page 254, **16.8.2 Stop Mode** — Replace the two paragraphs:

From: Stop mode turns off the ICLK input to the COP if the STOP_ICLKDIS bit is set in configuration register 2 (CONFIG2). Service the COP immediately before entering or after exiting stop mode to ensure a full COP timeout period after entering or exiting stop mode.

After reset, the STOP_ICLKDIS bit is clear by default and ICLK is enabled during stop mode.

To: Stop mode turns off the ICLK input to the COP and clears the COP prescaler. Service the COP immediately before entering or after exiting stop mode to ensure a full COP timeout period after entering or exiting stop mode.

To prevent inadvertently turning off the COP with a STOP instruction, a configuration option is available that disables the STOP instruction. When the STOP bit in the configuration register has the STOP instruction is disabled, execution of a STOP instruction results in an illegal opcode reset.

HOW TO REACH US:

USA/EUROPE/LOCATIONS NOT LISTED:

Motorola Literature Distribution
P.O. Box 5405, Denver, Colorado 80217
1-800-521-6274 or 480-768-2130

JAPAN:

Motorola Japan Ltd.; SPS, Technical Information Center
3-20-1, Minami-Azabu Minato-ku, Tokyo 106-8573 Japan
81-3-3440-3569

ASIA/PACIFIC:

Motorola Semiconductors H.K. Ltd.
Silicon Harbour Centre, 2 Dai King Street
Tai Po Industrial Estate, Tai Po, N.T., Hong Kong
852-2668334

HOME PAGE:

<http://motorola.com/semiconductors>

Information in this document is provided solely to enable system and software implementers to use Motorola products. There are no express or implied copyright licenses granted hereunder to design or fabricate any integrated circuits or integrated circuits based on the information in this document.

Motorola reserves the right to make changes without further notice to any products herein. Motorola makes no warranty, representation or guarantee regarding the suitability of its products for any particular purpose, nor does Motorola assume any liability arising out of the application or use of any product or circuit, and specifically disclaims any and all liability, including without limitation consequential or incidental damages. "Typical" parameters which may be provided in Motorola data sheets and/or specifications can and do vary in different applications and actual performance may vary over time. All operating parameters, including "Typicals" must be validated for each customer application by customer's technical experts. Motorola does not convey any license under its patent rights nor the rights of others. Motorola products are not designed, intended, or authorized for use as components in systems intended for surgical implant into the body, or other applications intended to support or sustain life, or for any other application in which the failure of the Motorola product could create a situation where personal injury or death may occur. Should Buyer purchase or use Motorola products for any such unintended or unauthorized application, Buyer shall indemnify and hold Motorola and its officers, employees, subsidiaries, affiliates, and distributors harmless against all claims, costs, damages, and expenses, and reasonable attorney fees arising out of, directly or indirectly, any claim of personal injury or death associated with such unintended or unauthorized use, even if such claim alleges that Motorola was negligent regarding the design or manufacture of the part.



Motorola and the Stylized M Logo are registered in the U.S. Patent and Trademark Office. digital dna is a trademark of Motorola, Inc. All other product or service names are the property of their respective owners. Motorola, Inc. is an Equal Opportunity/Affirmative Action Employer.

© Motorola, Inc. 2003

HC908JL8AD/D
Rev. 0
5/2003